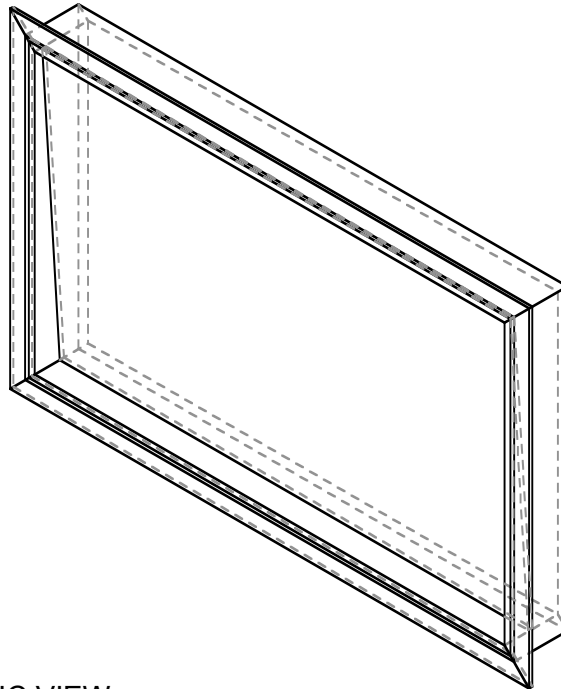


1 FRONT VIEW
09.00 Scale: 1:20

2 SECTION
09.00 Scale: 1:20



3 ISOMETRIC VIEW
09.00 Scale: 1:20



99-34 67th Road, Apt. 1H
11375 - Forest Hills - NY
tel: (1) (347) 455-0862
info@malvicinodesigngroup.com
www.malvicinodesigngroup.com

**MALVICINO
DESIGN
GROUP**

**ACOUSTIC
PRODUCTS**

DWG SIZE : ASME A

DWG SCALE : nts

DRAWN BY : F.M.A.

CHECKED BY : H.A.M.

APP. BY : H.A.M.

DATE [m/d/y] : SEPTEMBER 2009

FILE NAME : 09.00 ACOUSTIC WINDOW V1.0

**ACOUSTIC
WINDOW**

DWG # : a 09.00 V1