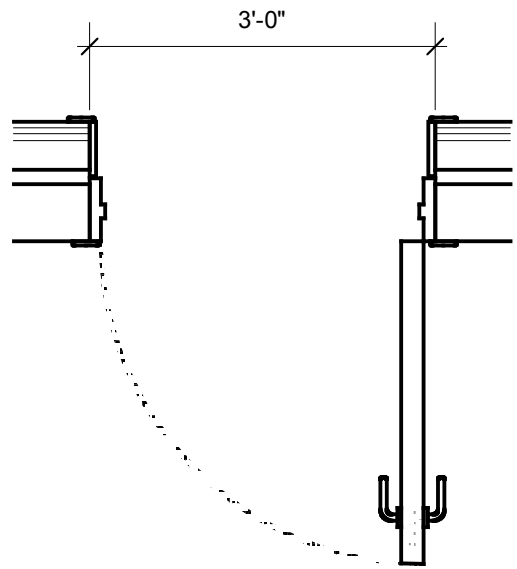
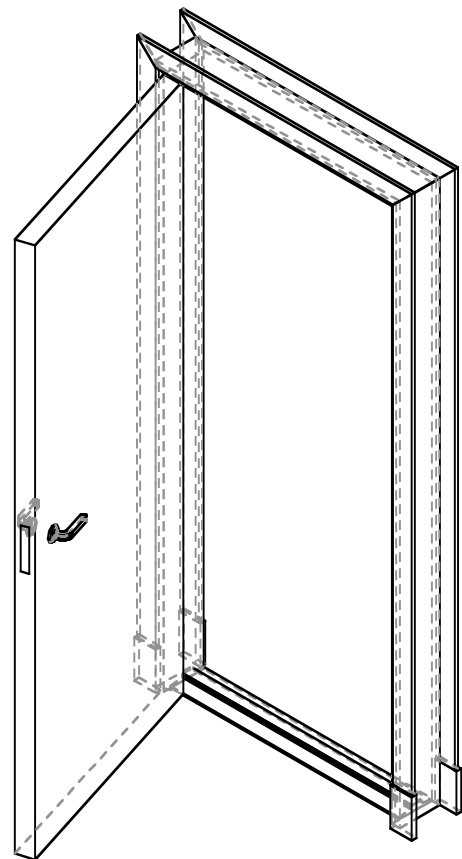


1 FRONT VIEW
08.00 Scale: 1:20



2 PLAN VIEW
08.00 Scale: 1:20



3 ISOMETRIC VIEW
08.00 Scale: 1:20



99-34 67th Road Apt. 1H
11375 - Forest Hills - NY
tel: (1) (347) 455.0862
info@malvicinodesigngroup.com
www.malvicinodesigngroup.com

**MALVICINO
DESIGN
GROUP**

**ACOUSTIC
PRODUCTS**

DWG SIZE : ASME A

DWG SCALE : nts

DRAWN BY : F.M.A.

CHECKED BY : H.A.M.

APP. BY : H.A.M.

DATE (m/d/y) : SEPTEMBER 2009

FILE NAME : 08.00 ACOUSTIC DOOR V1.0

**ACOUSTIC
DOOR**

DWG # : a 08.00 V1