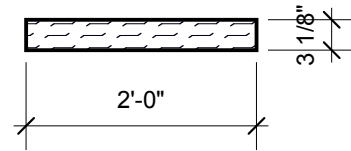
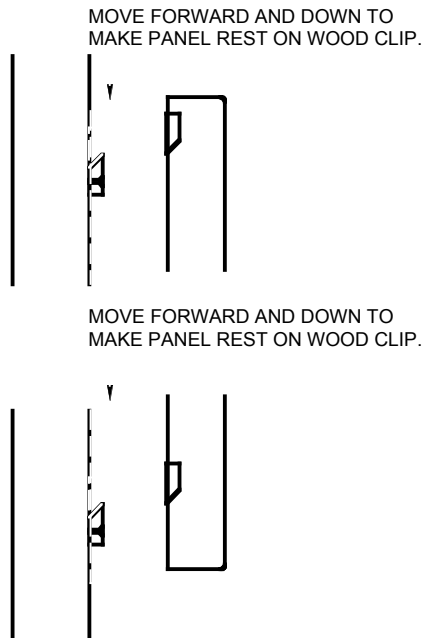


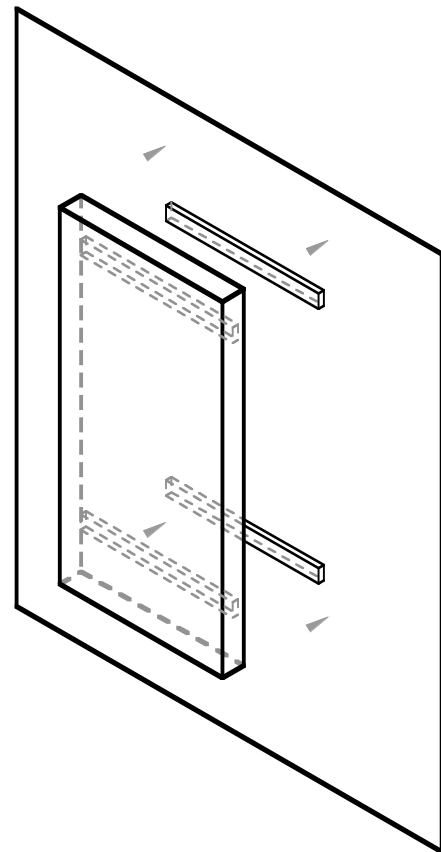
1 FRONT VIEW  
01.00 Scale: 1:20



2 PLAN VIEW  
01.00 Scale: 1:20



3 MOUNTING DETAIL  
01.00 Scale: 1:10



4 ISOMETRIC VIEW  
01.00 Scale: 1:20



99-34 67th Road Apt. 1H  
11375 - Forest Hills - NY  
tel: (1)347 455 0862  
info@malvicinodesigngroup.com  
www.malvicinodesigngroup.com

**MALVICINO  
DESIGN  
GROUP**

**ACOUSTIC  
PRODUCTS**

DWG SIZE : ASME A

DWG SCALE : nts

DRAWN BY : F.M.A

CHECKED BY : H.A.M

APP. BY : H.A.M

DATE [m/d/y] : SEPTEMBER 2009

FILE NAME : 01.00 ABSORPTION PANEL V1.0

**ABSORPTION  
PANEL**

DWG # : a 01.00 V1